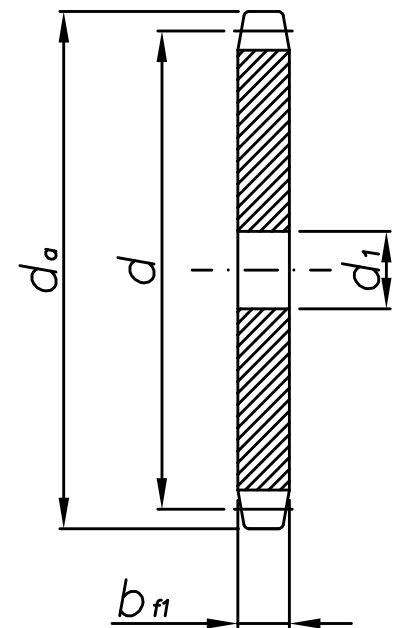
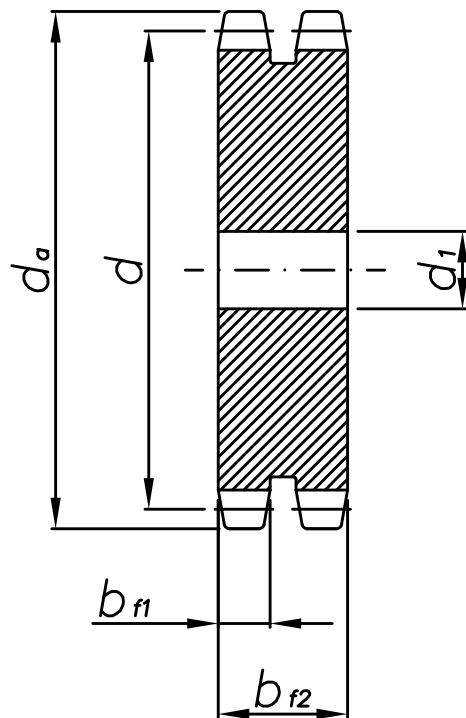


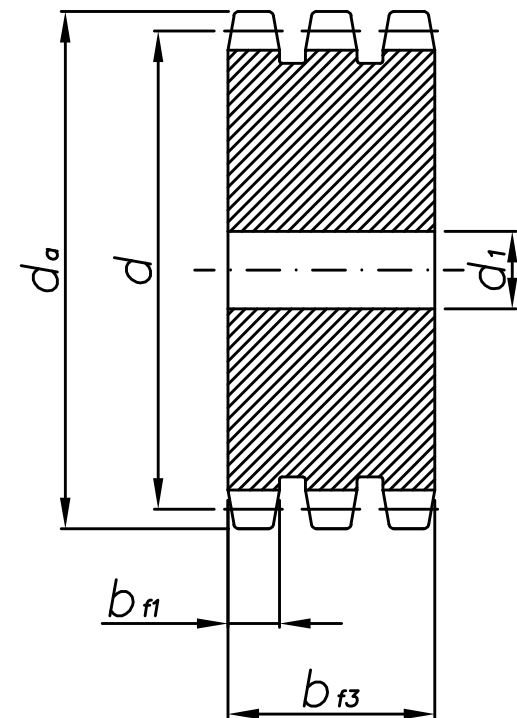
KOŁA ŁAŃCUCHOWE PŁASKKIE – 28B
PLATE WHEELS – 28B



PS



PD



PT

Koła łańcuchowe płaskie - 28B

Plate wheels - 28B

Szerokość zęba/ <i>tooth width</i>	$b_{f1} = 29,4 \text{ mm}$	$b_{f2} = 88,4 \text{ mm}$	$b_{f3} = 148,0 \text{ mm}$
------------------------------------	----------------------------	----------------------------	-----------------------------

z	d	d _a	PS	PD	PT
			d ₁	d ₁	d ₁
8	116,15	132,0	25	25	25
9	129,96	148,5	25	25	25
10	143,85	162,5	25	25	25
11	157,77	176,5	25	30	30
12	171,74	189,5	25	30	30
13	185,75	204,2	25	30	30
14	199,76	218,2	25	30	30
15	213,79	232,5	25	30	30
16	227,84	246,5	30	30	30
17	241,90	260,0	30	30	30
18	255,98	274,0	30	30	30
19	270,06	289,0	30	30	30
20	284,15	303,0	30	30	30
21	298,24	317,0	30	30	40
22	312,34	331,0	30	30	40
23	326,44	345,0	30	30	40
24	340,55	359,0	30	30	40
25	354,66	373,0	30	30	40
26	368,77	387,0	30	40	40
27	382,88	401,0	30	40	40
28	397,00	416,0	30	40	40
29	411,12	430,0	30	40	40
30	425,24	444,0	30	40	40
31	439,37	458,0	30	40	40
32	453,49	472,0	30	40	40
33	467,62	486,0	30	40	40
34	481,75	500,0	30	40	40
35	495,88	514,0	30	40	40
36	510,01	529,0	30	40	40
37	524,13	543,0	30	40	40
38	538,27	557,0	30	40	40
39	552,40	571,0	30	40	40
40	566,54	585,0	30	40	40